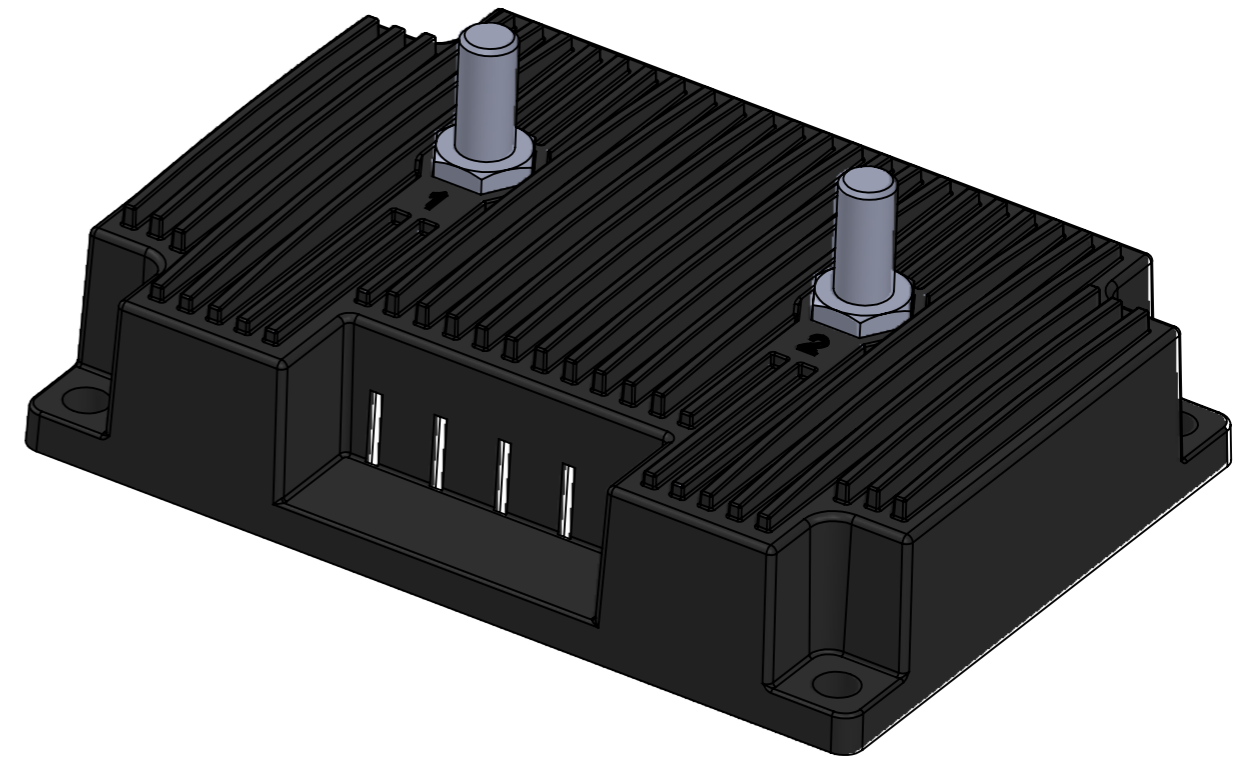
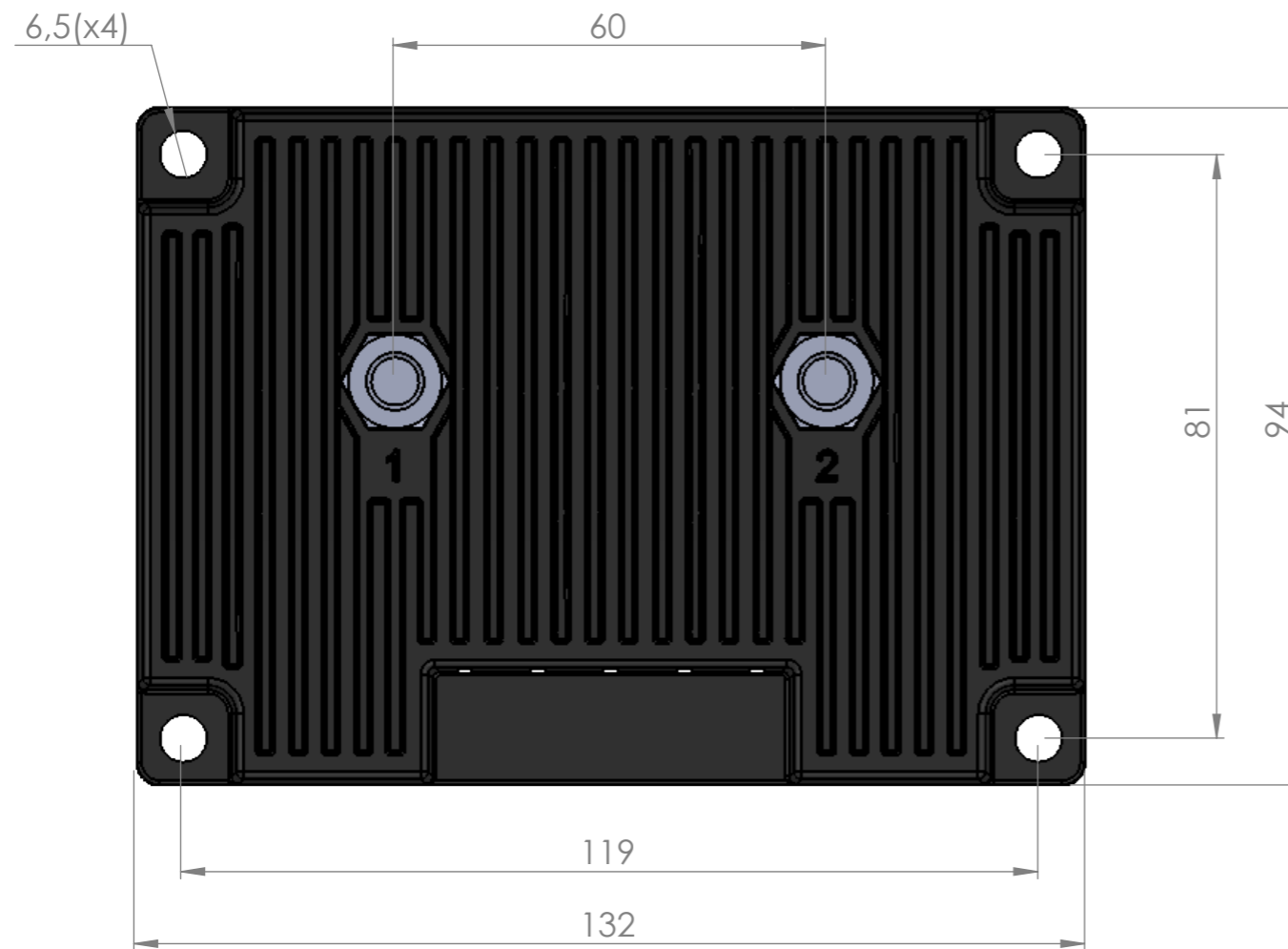
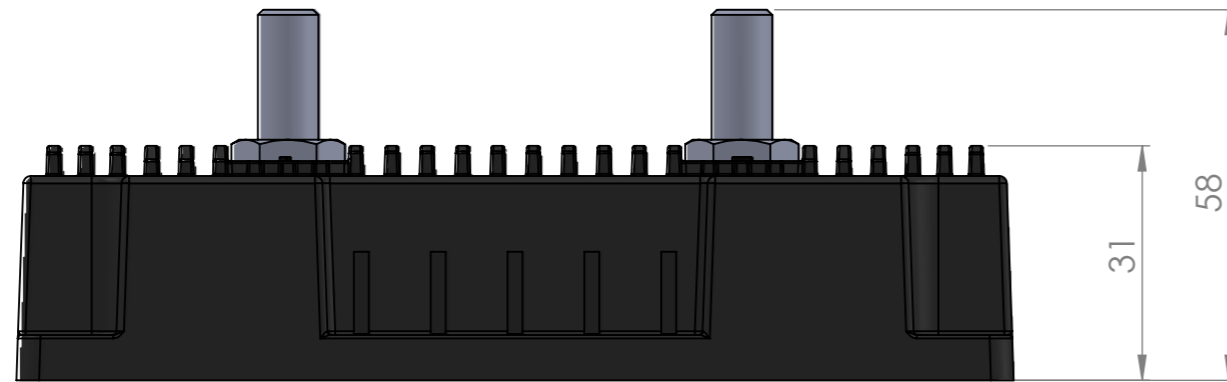


REVISIONS				
ZONE	REV.	DESCRIPTION	DATE	APPROVED
	A	Issued	2018-06-29	HR
	B	Updated height	2020-11-24	HR



Tolerance	Material	Proj.	Designed by HR	Approved by HR	Date 2018-06-29
			Description CDR Nya versionen		Scale 1:1
			Drawing nr. P0700045		Rev. B