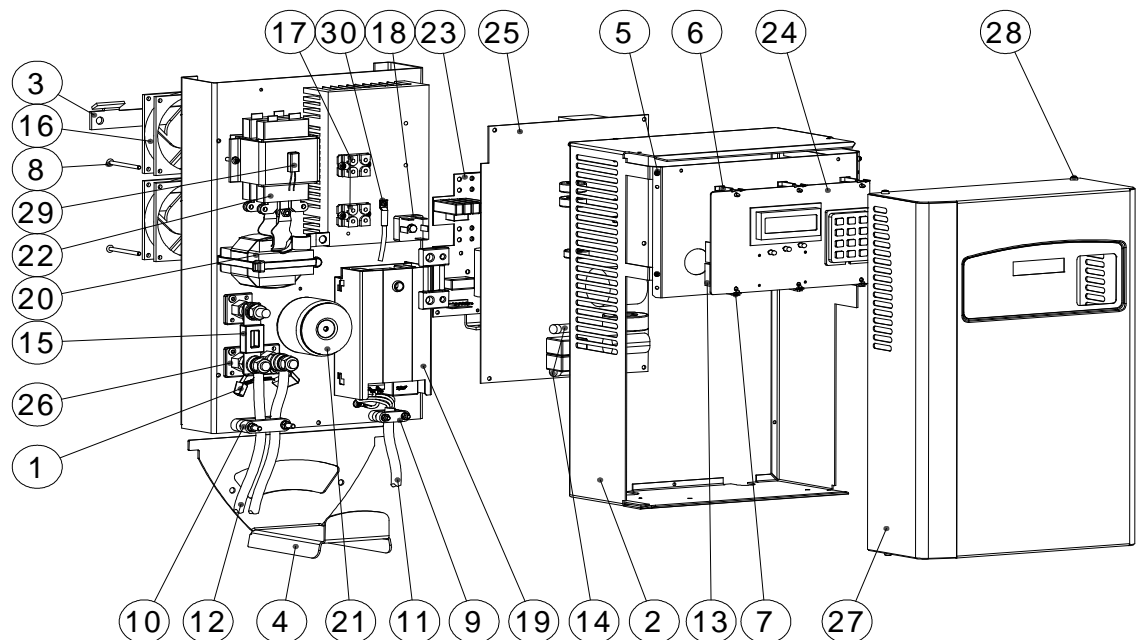


Reservdelslista/Spare part list/Ersatzteilliste

Truckladdare/Battery charger/Ladegerät: MTM-HF 80V/80A 3x400V 50-60Hz

Art. nr./Part no/ Art. nr.: 976381-000

Elschema/Circuit diagram/Schaltplan #: E-2859



Pos	Part no.	Benämning/Name/Benennung	Ref.	Qty	Data
1.	8535002	EMC-filter utgång/Output EMC-filter	C200-201	2	100nF 250V
2.	1102030	Krage/Cover/Gehäuse	-	1	M-6431
3.	1115009	Upphångningsanordning/Mount brakett	-	1	M-6333
4.	1134001	Kabelhållare/ Cable hook/Kabel halter	-	1	M-6332
5.	1464006	Skruv/Screw/Schraube	-	4	MRT TT M3x6 . For processor unit.
6.	1480030	Distans/Board support	-	3	For processor c.b.
7.	1480031	Distans/Board support	-	3	For processor c.b.
8.	1420003	Skruv/Screw/Schraube	-	4	M6S M4x30. For fan mounting
9.	2502001	Dragavlastning nät/ Cable clamp mains	-	2	NP706
10.	2502003	Dragavlastning batteri/ Cable clamp battery	-	2	NP712
11.	2904003	Nätkabel/Mains cable/Netzkabel	-	1	3m 4x2,5mm ² : Black
12.	2926004	Batterikabel/Battery cable/ Batterie kabel	-	1	3m 2x25mm ² . Twin cable.
13.	2935029	Flatkabel/ Flat cable	-	1	M-6378. Prim.c.b. to processor c.b.
14.	3006017 / 3006025	Säkring/Fuse/Sicherung (3006017 1A then Aux.trans.has E-core, 3006025 then Aux.trans.is Tororid)	FS1, FS2	2	1A Slow 6,3x32mm 0,5A Slow 6,3x32mm
15.	3010003	Batterisäkring/Battery fuse/Batterie sicherung	FS3	1	SIBA 80A cc 60mm
16.	8535011	Fläkt/Fan/Ventilator	E1	1	12V DC 6,5W 92x92x25mm
17.	4301056	Diod/Diode/Diode	D9-10	2	DSEI2x61-06C
18.	4340017	3-fas brygga/ 3 phase bridge	BR2	1	IR 26MT120
19.	80012181	Nätfilter/Mains filter/Netzfilter	RF11	1	#1158 inc. cables
20.	5801024	Drossel/Choke/Drossel	L3	1	#543770 Output filter.
21.	5901017 / 5901032	Manövertrafo/Auxiliarytransformer (5901017 Tororid. 5901032 E-core)	T1	1	#507780/ 508740
22.	59050141	Transformator/Transformer/Transformator	T2	1	Switchtransformer 80V 80A
23.	8540006	Sekundärkort/Secondary p.c.b.	U2	1	#116200 80V 100A Shunt
24.	8001177	Datorkort/Processor c.b./Computer l.p.	U3	1	#115905
25.	80012029	Primärkort/Primary c.b.	U1	1	#1171
26.	8520010	Batteriplit/Batteri connector/Batterie anschluss	-	1	M10
27.	1106xxxx	Kåpa/Cover/Gehäuse	-	1	M-6412 Metal cover. (color must be defined in order)
28.	1443007	Skruv/Screw/Schraube	-	4	RTS ST4,2x9,5. To fix cover.
29.	3009003 / 4637010	Temperaturbrytare/Temperatureswitch Thermistor	Temp1	1	Switch 110C Uchiya / NTC 10k
30.	4637010	Thermistor	Rtherm	1	NTC 10k

Internal cables: Prim. 1,5mm² Sec. 2x10mm².