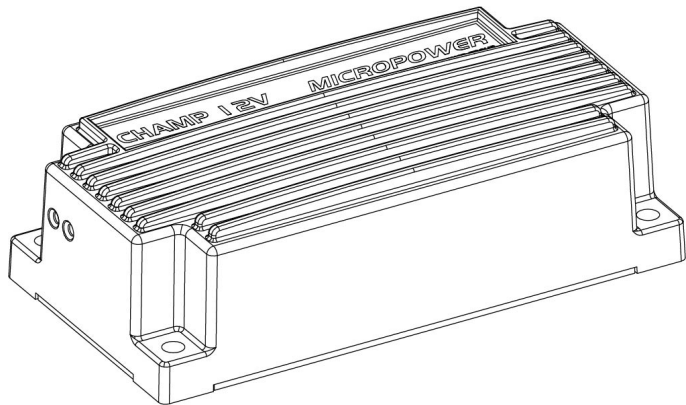


CHAMP

Battery charger 12/24V 5-7A (Lead-acid)

User manual



EN	3
DE	9
SV	15

Figures.....	21
--------------	----



Valid for Champ with Model Code:
2A1A1**

User manual

Safety

Safety precautions



Read the instructions. The manual contains important safety and operating instructions. Always keep this manual nearby the product.

Read and understand this instruction, the battery instruction provided by your battery manufacturer, and your employer's safety practice, before using, installing, or servicing the product.

Only qualified personnel should install, use or service this product.

Applies to the European market, EN standard: This appliance can be used by children aged from 8 years and above and persons with reduced physical, sensory or mental capabilities, or lack of experience and knowledge if they have been given supervision or instruction concerning use of the appliance in a safe way and understand the hazards involved. Children shall not play with the appliance. Cleaning and user maintenance shall not be made by children without supervision.

Applies to markets outside Europe, IEC standard: This appliance is not intended for use by persons (including children) with reduced physical, sensory or mental capabilities, or lack of experience and knowledge, unless they have been given supervision or instruction concerning use of the appliance by a person responsible for their safety. Children should be supervised to ensure that they do not play with the appliance.

CAUTION

Always connect the battery cables before connecting mains. Disconnect mains before disconnecting battery cables.

Intended use

The battery charger is intended for charging lead-acid batteries.

Battery charger adjustment

The charger must be adjusted to each type of battery to be charged (Freely Ventilated FVLA or Valve regulated VRLA). Each charger can be

ordered as pre-adjusted with charging curve and parameters optimized for a specified battery.

Before start charging

Proper installation of the battery charger and implementation of necessary safety devices and measures, including their maintenance, is the responsibility of the operating company/customer. As a basic rule, a risk and hazard analysis must be prepared in accordance with local requirements and best practice.

Ensure that the charger is adjusted for the battery type. Before connection, check the marking on the battery and the battery charger.

EXPLOSIVE GASES

WARNING

RISK OF EXPLOSION! - Read and follow the precautions provided below:



WARNING, explosive gases.

Lead-acid batteries generate explosive gases during charging.

- Incorrect settings of the battery charger may damage the battery and generate explosive gases from the battery during charging. Always check settings before start charging.
- Do not charge non-rechargeable batteries, damaged batteries or battery types not intended for the charger.
- Do not disconnect the battery when the charging process is in progress. Sparks may occur and cause hydrogen explosion when charging lead-acid batteries. Arc flash may occur and damage the connector pins. Always stop the charging process before the battery is disconnected.



No open flame. Fire, open ignition source and smoking are prohibited near battery.

- Explosive gases. Prevent flames and sparks. Provide proper ventilation during charging.
- Do not smoke, cause sparking or use open flames near battery.
- Do not keep inflammable material close to battery charger.



Well-ventilated. Always provide proper ventilation during charging.

ELECTRIC SHOCK

WARNING

RISK OF ELECTRIC CHOCK! - Read and follow the precautions provided below:



WARNING, risk of electric shock. High voltage inside. The battery charger contains voltage at a level that can cause personal injury.

- Disconnect the battery and power supply before maintenance, servicing or dismantling.
- Check that the power supply at the site of the installation complies with the rated voltage specified on the battery charger's data label.
- The battery charger may only be connected to a power outlet with protective earth.
- Do not operate the charger if there is any evidence of damage.
- If the supply cord or plug is damaged:
 - Appliances with specially prepared cords must be replaced by a special cord or assembly available from the manufacturer or its service agent.
 - Other appliances that have a supply cord that cannot be replaced, should be scrapped.
- If a stationary appliance is not fitted with a supply cord and a plug, or with other means for disconnection from the supply mains, disconnection must be incorporated in the fixed wiring in accordance with the national wiring rules.



WARNING, risk of electric shock. High output voltage. Do not touch uninsulated battery terminals, connectors or other live electrical parts.

When installing or performing work on battery, charger and battery terminals – do not risk short circuits. A short circuit may cause personal injury and permanently damage the battery. For all work

on battery chargers, batteries and BMS, suitable insulated tools must be used.

Warning information

Hazardous situations and precautions are presented in the text as follows.

WARNING

Indicates a potentially dangerous situation. Death or serious injury may occur if appropriate precautions are not taken.

CAUTION

Indicates a situation where damage or injury could occur. If it is not avoided, minor injury and/or damage to property may result.

NOTE

General information not connected to safety for person or the product.

Graphical symbols

The following graphical attention symbols may appear on the products and in the documentation.



Read the instructions. The manual contains important safety and operating instructions.



Stop operation. Always stop the charging process by disconnecting the mains before disconnecting the battery.



WARNING, risk of electric shock. High voltage inside.



CAUTION, undesirable consequences. The situation needs operator awareness or action.



Well-ventilated. Always provide proper ventilation during charging.



WARNING, explosive gases. Lead-acid batteries generate explosive gases during charging.



No open flame. Fire, open ignition source and smoking are prohibited near battery.



Wear protective gloves. The battery cables / battery connectors may become hot during charging.

Introduction

This document contains use and maintenance instructions for the intended battery charger.

This document is of relevance for the one who uses the battery charger for its purpose; charge batteries.

Target groups:

- Installers
- Operators
- Maintenance personnel and technicians

Description

Champ is a compact and waterproof battery charger for charging lead-acid batteries.

The charger's LEDs indicate the status of the charging process. The charging time and temperature of the charger are monitored throughout the charging process. The charging is limited in the event of defect cells or insufficient cooling etc.

Receiving

On receipt, visually inspect the product for any physical damage. If necessary, contact the transport company.

Check the delivered parts against the delivery note. Contact your supplier if something is missing, see *Contact information*.

Installation

NOTE

Installation may only be performed by qualified service partner.

Mechanical installation

The battery charger:

- is intended for installation in vehicles and other applications,

- is suitable for indoor and outdoor use,
- is required to be mounted against a solid surface,
- should, when fitted on a wall or in a vehicle, be vertically mounted for optimal cooling.

CAUTION

- Avoid high ambient temperature, i.e., not near turbochargers, exhaust manifolds, etc.
- The battery charger may become warm during use. Ensure ventilation around the charger.
- The battery charger should always be securely fastened. Use screws and lock washers when attaching the charger (the installation must withstand shocks and vibrations in, e.g., a vehicle).

Electrical installation

WARNING

High voltage!

Incorrect connection of battery cables can cause personal injuries and damage to the battery, battery charger and cables.

Make sure the connections are correct.

WARNING

High voltage!

Risk of live chassis.

Always connect the charger to a power outlet with protective earth.

1. The battery charger is produced for different mains voltages. Check that the power supply at the site of the installation complies with the rated voltage specified on the battery charger's data label. The label is located on the side of the charger. The charger is normally equipped with fixed mains cable with connector.
2. Check the polarity of the battery connector and cable before connecting the battery. The charger is normally delivered with a battery cable with the following polarity:
 - Positive (+) = Red
 - Negative (-) = Blue or Black
3. Connect the battery cables to the battery.

Operation

Overview

See *Fig. 2 Components and dimensions*

1. Mains cable
2. Battery cables
3. LED
4. Fuse holder with fuse

Charging

WARNING

High voltage!

Do not use the battery charger if it is damaged. Disconnect the mains immediately.

Do not touch damaged parts, uninsulated battery terminals, connectors, or other live electrical parts.

Contact service personnel.

Connect and start charging

1. Check the cables and connectors for visible damage.
2. Connect the battery charger to the battery.
3. Connect the mains cable.

The battery charger starts charging.

For more information about the charging curve, see *Fig. 1 Charging curve*.

Yellow LED:

- The first charging state is initiated.
- Kept lit until the battery is fully charged.

Green LED:

- Indicates that the battery is fully charged.
- The charger now switches to maintenance charging.

NOTE

The green LED will not light immediately if a fully charged battery is connected. This time can vary depending on the battery capacity and the software in the charger.

For a detailed description, see the section LED indication.

Stop charging and disconnect

WARNING

Risk of explosion!

Do not disconnect the battery when the charging process is in progress. Sparks may occur and cause hydrogen explosion when charging lead-acid batteries. Arc flash may occur and damage the connector pins. Always stop the charging process before the battery is disconnected.

1. Turn off the charger by disconnecting the mains cable.
2. Disconnect the battery.

LED indication

The LEDs lights up or flashes in different patterns to indicate the condition and state of charge (SOC). For more information about the charging curve, see *Fig. 1 Charging curve*.

LED indication		○ Off ● On
Yellow	Green	Information
●	○	<ul style="list-style-type: none"> The charging process starts with max power - I Phase. The current drops as the battery is recharged. The charging time is determined by the battery capacity and the degree of discharge.
●	●	<ul style="list-style-type: none"> When the threshold value (I_{BR}) is reached, the internal timer starts the U phase of the charging process. The U2 phase keeps the charger in the higher charging voltage. For how long depends on the software in the charger. Ensures recharge and equalizes the charge in all battery cells and prevents sulfating of the battery.
○	●	<ul style="list-style-type: none"> Maintenance charge to set voltage. The battery is kept fully charged and the charger can in this phase be left on, over time. Possible parallel load or consumption is supplied from the charger and the battery is kept fully charged. The battery charger can provide full power.

Maintenance and troubleshooting

WARNING

High voltage!

Only qualified personnel should install, use, maintain and service this product.

Disconnect the battery and power supply before maintenance, servicing or dismantling.

WARNING

High voltage!

Do not use the battery charger if it is damaged. Disconnect the mains immediately.

Do not touch damaged parts, uninsulated battery terminals, connectors, or other live electrical parts.

Contact service personnel.

Safety shut-off

Charging is terminated if:

- The mains cable is unplugged.
- The battery cable's fuse has blown.

Charging power is temporarily reduced if:

- The internal charger temperature is too high.

Checking error messages

If the battery charger's built-in self-testing function detects a fault, this is indicated via the status LEDs on the front panel, see section LED indication.

Please make a note of any faults and send for authorised service personnel.

Checks

The following are recommended to be done regularly:

- Check the cables and connectors for damages.
- Check that the battery is free from defects, in good condition and is the correct type for the battery charger.
- Check that the battery is properly connected and that the battery fuse, if any, is not broken.
- Check that the mains voltage is correct and that there are no blown fuses.

Technical data

Operational ambient temperature: -25 to 50 °C (-13 to 122 °F)⁽¹⁾

Storage temperature: -40 to 85 °C (-40 to 185 °F)

ENGLISH

Mains voltage: See data label⁽²⁾

Battery types: Lead-acid

Output voltage: See data label⁽²⁾

Recommended battery capacity:

- Champ 12V/7A: 7–70 Ah

- Champ 24V/5A: 5–50 Ah

Efficiency: > 90 % at full load

Ingress protection: IP67

Approvals: CE and/or UL. See data label⁽²⁾

1) 30 to 50 °C (86 to 122 °F) with derated charging power.

2) Located on the battery charger.

Recycling

The battery charger is recycled as metal and electronics scrap. Local regulations apply and must be followed.

Contact information

Micropower Group AB

Idavägen 1, SE-352 46 Växjö, Sweden

Phone: +46 (0)470-727400

e-mail: support@micropower.se

www.micropower-group.com

Approvals

Manufactured by: Micropower Group AB

The manufacturer declares that this product complies with applicable requirements. Complete declaration is available at Micropower Support Center: <https://docs.micropower-group.com/Other/docs>

Benutzerhandbuch

Sicherheit

Sicherheitsvorkehrungen



Die Hinweise lesen. Die Betriebsanleitung enthält wichtige Sicherheits- und Betriebshinweise. Dieses Handbuch immer in der Nähe des Produkts aufbewahren.

Diese Anweisungen, die Anleitung des Batterieherstellers und die Sicherheitsvorschriften des jeweiligen Arbeitgebers müssen vor der Verwendung, Installation oder Wartung des Produktes gelesen und verstanden werden.

Dieses Produkt darf nur von Fachpersonal installiert, betrieben und gewartet werden.

Gültig für europäischen Markt, EN-Norm: Dieses Gerät kann von Kindern ab einem Alter von 8 Jahren benutzt werden sowie von Personen mit eingeschränkten körperlichen, sensorischen oder geistigen Fähigkeiten bzw. mangelnden Erfahrungen und Kenntnissen, sofern diese in der sicheren Benutzung des Geräts unterwiesen wurden und die mit der Benutzung verbundenen Gefahren verstanden haben oder bei der Benutzung beaufsichtigt werden. Kinder nicht mit dem Gerät spielen lassen. Die Reinigung und vom Benutzer ausführbare Wartung dürfen von Kindern nur unter Beaufsichtigung ausgeführt werden.

Gültig für andere Märkte als Europa, IEC-Norm: Die Benutzung durch Personen (einschließlich Kinder) mit reduzierten physischen, sensorischen oder mentalen Fähigkeiten oder mangelnder Erfahrung bzw. fehlendem Wissen ist untersagt, es sei denn, sie werden durch eine für ihre Sicherheit zuständige Person im Umgang mit dem Gerät beaufsichtigt oder unterwiesen. Kinder sollten beaufsichtigt werden, um sicherzustellen, dass sie nicht mit dem Gerät spielen.

VORSICHT

Schließen Sie immer die Batteriekabel an, bevor Sie das Stromnetz anschließen. Trennen Sie die Stromversorgung, bevor Sie die Batteriekabel abklemmen.

Verwendungszweck

Die Batterieladegeräte sind für das Laden von Blei-Säure-Batterien vorgesehen.

Einstellung des Batterieladegeräts

Das Ladegerät muss auf den jeweiligen zu ladenden Batterietyp (entlüftende, verschlossene Blei-Säure-Nassbatterie (FVLA) oder ventilgeregelter Blei-Säure-Batterie (VRLA)) eingestellt werden.

Jedes Ladegerät kann mit optimierter Ladekurve und Parametern voreingestellt für eine spezifische Batterie bestellt werden.

Vor dem Laden

Die fachgerechte Installation des Ladegeräts sowie der Einsatz der erforderlichen Sicherheitsvorrichtungen und die Anwendung der entsprechenden Sicherheitsmaßnahmen, inklusive der Wartung, obliegen dem Betreiber/ Benutzer. Grundsätzlich ist eine Risiko- und Gefahrenanalyse gemäß der geltenden Anforderungen und bewährten Verfahren vor Ort durchzuführen.

Sicherstellen, dass der Batterietyp am Ladegerät eingestellt ist. Vor dem Anschluss ist die Kennzeichnung auf der Batterie und dem Batterieladegerät zu überprüfen.

EXPLOSIVE GASE

ACHTUNG

EXPLOSIONSGEFAHR! - Die folgenden Sicherheitshinweise lesen und befolgen:



WARNUNG: Explosive Gase. In Blei-Säure-Batterien entstehen während des Ladens explosive Gase.

- Eine Falscheinstellung des Batterieladegeräts kann während des Ladens zu Schäden an der Batterie und zur Bildung explosiver Gase in der Batterie führen. Vor dem Laden immer die Einstellungen überprüfen.
- Nicht wiederaufladbare Batterien, beschädigte Batterien oder nicht für das Ladegerät vorgesehene Batterietypen nicht laden.
- Die Batterie nicht bei laufendem Ladevorgang abklemmen. Beim Laden von Blei-Säure-Batterien können Funken zu einer

DEUTSCH

Wasserstoffexplosion führen. Es kann zu einem Lichtbogen kommen, der die Steckverbinderstifte beschädigt. Vor dem Abklemmen der Batterie immer erst den Ladevorgang unterbrechen.



Kein offenes Feuer. Feuer, offene Zündquellen und das Rauchen sind in der Nähe von Batterien untersagt.

- Explosive Gase. Flammen und Funken vermeiden. Während des Ladens für ausreichende Belüftung sorgen.
- Rauchen ist in der Nähe der Batterie ebenso verboten wie Funken oder offene Flammen.
- In der Nähe des Ladegeräts darf kein entflammables Material zurückgelassen werden.



Gut belüftet. Während des Ladens immer für ausreichende Belüftung sorgen.

ELEKTRISCHE SCHLÄGE

ACHTUNG

GEFAHR EINES ELEKTRISCHEN SCHLAGES!

- Die folgenden Sicherheitshinweise lesen und befolgen:



WARNUNG: Gefahr eines elektrischen Schlags. Hohe Spannung im Inneren. Das Batterieladegerät verfügt über eine Spannung in einer Größenordnung, die zu Verletzungen führen kann.

- Vor Wartungs- oder Servicearbeiten und vor der Demontage ist die Batterie- und Stromversorgung abzutrennen.
- Überprüfen, ob die Stromversorgung am Installationsort mit der auf dem Typenschild des Batterieladegeräts angegebenen Nennspannung übereinstimmt.
- Das Batterieladegerät darf nur an eine geerdete Steckdose angeschlossen werden.
- Batterieladegeräte dürfen nicht verwendet werden, wenn Anzeichen einer Beschädigung vorhanden sind.

- Bei Beschädigung des Stromanschlusskabels oder Steckers:
 - Bei Geräten mit Spezialkabeln ist das Kabel gegen ein Spezialkabel vom Hersteller oder vom autorisierten Kundendienst auszutauschen.
 - Andere Geräte mit festem, nicht austauschbarem Stromanschlusskabel sind zu entsorgen.
- Wenn ein stationäres Gerät nicht mit einem Stromanschlusskabel und einem Stecker oder einer anderen Möglichkeit zur Trennung vom Stromnetz ausgestattet ist, muss eine Trennmöglichkeit gemäß den nationalen Verkabelungsvorschriften in die Festverkabelung integriert werden.



WARNUNG: Gefahr eines elektrischen Schlags. Hohe Ausgangsspannung. Berühren Sie keine unisolierten Batterieklemmen, Stecker oder andere stromführende Teile.

Bei der Installation oder Arbeiten an Batterie, Ladegerät und Batteriepolen unbedingt darauf achten, keine Kurzschlüsse zu verursachen. Ein Kurzschluss kann zu Körperverletzungen und dauerhafter Beschädigung der Batterie führen. Für alle Arbeiten an Batterieladegeräten, Batterien und BMS sind geeignete isolierte Werkzeuge zu verwenden.

Warnhinweise

Gefährliche Situationen und vorbeugende Maßnahmen werden im Text wie folgt dargestellt:

ACHTUNG

Hinweis auf eine potentiell gefährliche Situation. Es kann zu Todesfällen oder ernsthaften Verletzungen kommen, wenn die entsprechenden Maßnahmen nicht ergriffen werden.

VORSICHT

Hinweis auf eine Situation, in der es zu Beschädigungen oder Verletzungen kommen kann. Wird diese Situation nicht vermieden, kann es zu kleineren Verletzungen und/oder Sachbeschädigungen kommen.

BITTE BEACHTEN

Allgemeine Informationen ohne Verbindung zu Sicherheitsaspekten für Personen oder Produkt.

Grafische Symbole

Die folgenden grafischen Symbole für erforderliche Aufmerksamkeit können auf den Produkten und in den Unterlagen erscheinen



Die Hinweise lesen. Die Betriebsanleitung enthält wichtige Sicherheits- und Betriebshinweise.



Stoppen. Vor dem Abklemmen der Batterie den Ladevorgang immer durch Ziehen des Netzsteckers stoppen.



WARNUNG, Risiko von elektrischen Schlägen. Hochspannung im Inneren.



VORSICHT, unerwünschte Folgen. Die Situation erfordert die Aufmerksamkeit des Bedieners oder Maßnahmen.



Gut belüftet. Während des Ladens immer für ausreichende Belüftung sorgen.



WARNUNG: Explosive Gase. In Blei-Säure-Batterien entstehen während des Ladens explosive Gase.



Kein offenes Feuer. Feuer, offene Zündquellen und das Rauchen sind in der Nähe von Batterien untersagt.



Schutzhandschuhe tragen. Die Batteriekabel und -anschlüsse können während des Ladens heiß werden.

Einführung

Dieses Dokument enthält Anweisungen für den Einsatz und die Wartung des entsprechenden Ladegeräts.

Es gilt für sämtliche Personen, die das Ladegerät bestimmungsgemäß benutzen: zum Laden von Batterien.

Zielgruppen:

- Installateure
- Bediener
- Wartungs- und technisches Personal

Beschreibung

Champ ist ein kompaktes und wasserfestes Batterieladegerät zum Laden von Blei-Säure-Batterien.

Die LEDs des Ladegeräts zeigen den Status des Ladevorgangs an. Ladezeit und Temperatur des Batterieladegerätes werden überwacht. Im Falle eines Defektes in einer Batteriezelle oder bei ungenügender Kühlung, usw., wird das Laden reduziert.

Erhalt

Bei der Anlieferung ist das Produkt optisch auf Beschädigungen zu untersuchen. Bei Bedarf ist Kontakt zum Spediteur aufzunehmen.

Die gelieferten Teile sind anhand des Lieferscheins zu überprüfen. Wenn etwas fehlt, ist Kontakt zum Hersteller aufzunehmen, siehe *Kontakt*daten.

Installation**BITTE BEACHTEN**

Die Montage darf nur von Fachleuten ausgeführt werden.

Mechanische Installation

Das Ladegerät:

- ist für die Installation in Fahrzeugen und anderen Anwendungen vorgesehen,
- ist für den Einsatz im Innen- und Außenbereich geeignet,
- muss an einer festen Oberfläche montiert werden,
- muss bei Montage an einer Wand oder in einem Fahrzeug vertikal montiert werden, um eine optimale Kühlung sicherzustellen.

VORSICHT

- Hohe Umgebungstemperaturen vermeiden, d.h. nicht in der Nähe von Turboladern, Abgaskrümmern usw. installieren.
- Das Batterieladegerät kann während des Betriebs warm werden. Sorgen Sie für gute Belüftung rund um das Ladegerät.
- Das Batterieladegerät ist immer zuverlässig und stabil zu befestigen. Zur Befestigung des Ladegeräts Schrauben und Sicherungsscheiben verwenden. (Die Installation muss Stößen und Vibrationen wie z. B. in einem Fahrzeug standhalten.)

Elektroinstallation

ACHTUNG

Hochspannung!

Durch einen falschen Anschluss der Batteriekabel kann es zu Verletzungen und Beschädigungen von Batterie, Batterieladegerät und Kabel kommen.

Darauf achten, dass die Anschlüsse korrekt hergestellt werden.

ACHTUNG

Hochspannung!

Das Gehäuse kann unter Strom stehen!

Das Batterieladegerät ist immer an eine Steckdose mit Erdung anzuschließen.

1. Das Batterieladegerät wurde für verschiedene Netzspannungen konstruiert. Überprüfen, ob die Spannungsversorgung am Einsatzort mit der auf dem Kennschild des Batterieladegeräts angegebenen Nennspannung übereinstimmt. Das Schild befindet sich an der Seite des Geräts. Das Ladegerät ist in der Regel mit einem festen Netzkabel mit Stecker ausgestattet.
2. Die Polarität von Batteriesteckverbinder und Kabel vor dem Anschluss der Batterie überprüfen. Das Ladegerät wird in der Regel mit einem Batteriekabel mit der folgenden Polarität geliefert:
 - Plus (+) = Rot
 - Minus (-) = Blau oder Schwarz

3. Die Batteriekabel an der Batterie anschließen.

Betrieb

Übersicht

Siehe *Abb. 2 Komponenten und Abmessungen*

1. Netzkabel
2. Batteriekabel
3. LED
4. Sicherungshalter mit Sicherung

Aufladen

ACHTUNG

Hochspannung!

Wenn das Batterieladegerät beschädigt ist, darf es nicht verwendet werden. Trennen Sie es unverzüglich vom Stromnetz.

Beschädigte Komponenten, unisolierte Batteriepole, Anschlüsse oder sonstige spannungsführende Teile dürfen nicht berührt werden.

Wenden Sie sich an das Servicepersonal.

Anschließen und Ladung starten

1. Kabel und Steckverbinder auf sichtbare Schäden überprüfen.
2. Das Ladegerät an die Batterie anschließen.
3. Das Netzkabel anschließen.

Das Ladegerät beginnt den Ladevorgang.

Weitere Informationen zur Ladekurve, siehe *Abb. 1 Ladekurve*.

Gelbe LED:

- Die erste Ladephase wird eingeleitet.
- Leuchtet so lange, bis die Batterie voll geladen ist.

Grüne LED:

- Zeigt an das die Batterie voll geladen ist.
- Das Ladegerät wechselt in die Erhaltungsladung.

BITTE BEACHTEN

Die grüne LED leuchtet bei Anschluss einer voll geladenen Batterie nicht sofort auf. Die Dauer des Ladevorgangs kann je nach die Batteriekapazität und Software des Ladegeräts variieren.

Eine ausführliche Beschreibung finden Sie im Abschnitt LED-Anzeige.

1. Das Ladegerät durch Trennen des Netzkabels ausschalten.
2. Batterie abklemmen.

Ladung stoppen und abschließen

ACHTUNG

Explosionsgefahr!

Die Batterie nicht bei laufendem Ladevorgang abklemmen. Beim Laden von Blei-Säure-Batterien können Funken zu einer Wasserstoffexplosion führen. Es kann zu einem Lichtbogen kommen, der die Steckverbinderstifte beschädigt. Vor dem Abklemmen der Batterie immer erst den Ladevorgang unterbrechen.

LED-Anzeige

Die LED leuchten oder blinken in verschiedenen Mustern, um den Status und den Ladezustand (SOC) anzuzeigen. Weitere Informationen zur Ladekurve, siehe *Abb. 1 Ladekurve*.

LED-Anzeige		○ Aus ● Ein
Gelb	Grün	Information
●	○	<ul style="list-style-type: none"> • Der Ladevorgang beginnt mit maximaler Leistung (Phase I). • Der Strom sinkt mit fortschreitender Ladung der Batterie. • Die Ladedauer ist von die Batteriekapazität und der Stärke ihrer Entladung abhängig.
●	●	<ul style="list-style-type: none"> • Bei Erreichen des Grenzwerts (I_{BR}) startet der interne Zeitgeber die Phase U des Ladevorgangs. • In Phase U2 wird das Ladegerät auf einer höheren Ladespannung gehalten. Die Dauer ist von der Software des Ladegeräts abhängig. In dieser Phase wird die gleichmäßige Ladung aller Batteriezellen sichergestellt und einem Sulfatieren der Batterie vorzubeugen.
○	●	<ul style="list-style-type: none"> • Erhaltungsladung auf Sollspannung. • Die Batterie wird auf vollständiger Ladung gehalten. Das Ladegerät kann in dieser Phase für längere Zeit eingeschaltet bleiben. • Ein möglicher an die Batterie angeschlossener Verbraucher wird vom Ladegerät versorgt und die volle Ladung der Batterie wird erhalten. • Das Ladegerät kann die volle Leistung bereitstellen.

Wartung und Fehlerbehebung

ACHTUNG

Hochspannung!

Produkt darf nur von Fachpersonal installiert, genutzt oder gewartet werden.

Vor der Wartung oder Demontage Batterie und Stromversorgung trennen.

ACHTUNG

Hochspannung!

Wenn das Batterieladegerät beschädigt ist, darf es nicht verwendet werden. Trennen Sie es unverzüglich vom Stromnetz.

Beschädigte Komponenten, unisolierte Batteriepole, Anschlüsse oder sonstige spannungsführende Teile dürfen nicht berührt werden.

Wenden Sie sich an das Servicepersonal.

Sicherheitsabschaltung

Der Ladevorgang wird in folgenden Fällen unterbrochen:

- Das Netzkabel ist ausgesteckt.
- Die Sicherung des Batteriekabels ist defekt.

Die Ladeleistung wird in folgenden Fällen vorübergehend reduziert:

- Die Innentemperatur des Ladegeräts ist zu hoch.

Fehlermeldungen überprüfen

Wenn der Selbsttest des Batterieladegerätes einen Fehler feststellt, wird dieses durch die LED's angezeigt, siehe Abschnitt LED-Anzeige.

Fehlfunktionen müssen notiert und einem autorisierten Service gemeldet werden.

Überprüfungen

Die folgenden Maßnahmen sollten regelmäßig durchgeführt werden:

1. Die Kabel und Stecker auf Beschädigungen untersuchen.
2. Sicherstellen, dass die Batterie keine Defekte aufweist, sich in einem guten Zustand befindet

und der richtige Typ für das Batterieladegerät ist.

3. Sicherstellen, dass die Batterie richtig angeschlossen und die Batteriesicherung, falls vorhanden, nicht defekt ist.
4. Sicherstellen, dass die richtige Netzspannung anliegt und keine ausgelösten Sicherungen vorhanden sind.

Technische Daten

Betriebstemperatur: -25 bis 50 °C (-13 bis 122 °F)⁽¹⁾

Lagertemperatur: -40 bis 85 °C (-40 bis 185 °F)

Netzspannung: Siehe Kennschild⁽²⁾

Batterietyp: Blei-Säure

Ausgangsspannung: Siehe Kennschild⁽²⁾

Empfohlene Batteriekapazität:

- Champ 12V/7A: 7-70 Ah

- Champ 24V/5A: 5-50 Ah

Wirkungsgrad: > 90 % bei Volllast

Schutzart: IP67

Zulassungen: CE und/oder UL. Siehe Kennschild⁽²⁾

1) ab 30 bis 50 °C (86 bis 122 °F) mit reduzierter Ladeleistung.

2) Am Ladegerät.

Recycling

Das Ladegerät wird als Metall- und Elektroschrott recycelt. Es gelten die lokalen Vorschriften.

Kontaktdaten

Micropower Group AB
Idavägen 1, SE-352 46 Växjö, Schweden
Tel.: +46 (0)470-727400
E-Mail: support@micropower.se
www.micropower-group.com

Zulassungen

Hergestellt von: Micropower Group AB

Der Hersteller erklärt, dass dieses Produkt mit den geltenden Anforderungen übereinstimmt. Die vollständige Erklärung ist verfügbar unter Micropower Support Center: <https://docs.micropower-group.com/Other docs>

Bruksanvisning

Säkerhet

Säkerhetsföreskrifter



Läs instruktionerna. Bruksanvisningen innehåller viktig information om säkerhet och användarinstruktioner. Förvara alltid denna handbok i närheten av produkten.

Läs och förstå de här instruktionerna, batteriinstruktionen som tillhandahålls av batteritillverkaren och din arbetsgivares säkerhetsrutiner innan du använder, installerar eller underhåller produkten.

Endast utbildad personal bör installera, använda eller serva denna produkt.

Gäller den europeiska marknaden, EN-standard: Den här produkten kan användas av barn från 8 års ålder och uppåt och av personer med nedsatt fysisk, sensorisk eller mental förmåga eller som saknar erfarenhet och kunskap, om de övervakas eller ges instruktioner för hur produkten ska användas på ett säkert sätt, och är medvetna om förekommande risker. Barn får inte leka med produkten. Rengöring och underhåll får inte utföras av barn om de inte står under uppsikt.

Gäller för marknader utanför Europa, IEC-standard: Den här produkten är inte ämnad att användas av personer (inklusive barn) med nedsatt fysisk, sensorisk eller mental förmåga eller av de som har liten kunskap eller erfarenhet, om de inte har fått handledning eller blivit instruerade i hur man använder produkten av en person som ansvarar för deras säkerhet. Barn ska övervakas för att säkerställa att de inte leker med produkten.

AKTA

Anslut alltid batterikablarna innan strömförsörjningen ansluts. Koppla bort strömförsörjningen innan batterikablarna kopplas bort.

Avsedd användning

Batteriladdaren är avsedd för laddning av blyackumulatörer.

Anpassning av batteriladdare

Laddaren måste anpassas efter varje typ av batteri som ska laddas (Fritt ventilerade, FVLA eller Ventilreglerade, VRLA). Varje laddare kan beställas som förinställd med laddningskurva och parametrar optimerade för ett angivet batteri.

Innan laddning påbörjas

Korrekt installation av batteriladdaren och införande av nödvändiga säkerhetsanordningar och åtgärder, inklusive deras underhåll, är driftföretagets/kundens ansvar. Som grundregel måste en riskanalys utarbetas i enlighet med lokala krav och bästa praxis.

Kontrollera att laddaren är inställd för batteritypen. Före anslutning, kontrollera batteriets och laddarens märkningar.

EXPLOSIVA GASER

VARNING

EXPLOSIONSRISK! - Läs och följ säkerhetsåtgärderna nedan:



VARNING, explosiva gaser.

Blybatterier bildar explosiva gaser under laddning.

- Felaktig justering av batteriladdaren kan medföra att batteriet skadas och att explosiva gaser bildas från batteriet under laddning. Kontrollera alltid justeringarna innan laddning påbörjas.
- Ladda inte icke-uppladdningsbara batterier, skadade batterier eller batterityper som inte är avsedda för laddaren.
- Koppla inte loss batteriet när laddningsprocessen är igång. Gnistor kan uppstå och orsaka vätgasexplosion vid laddning av bly-syra-batterier. Ljusbåge kan uppstå och skada kontaktstiften. Stoppa alltid laddningsprocessen innan batteriet kopplas från.



Förbud mot rökning och öppen eld. Öppen låga, antändningskälla och rökning får inte förekomma i närheten av batteriet.

SVENSKA

- Explosiva gaser. Förhindra flammor och gnistor. Sörj för god ventilationen under laddning.
- Rök inte, orsaka gnistor eller använd öppen eld i närheten av batterier.
- Inget brännbart material ska lämnas nära batteriladdaren.



Välventilerat. Sörj alltid för god ventilation under laddning.

ELEKTRISK STÖT

VARNING

RISK FÖR ELEKTRISK STÖT! - Läs och följ säkerhetsåtgärderna nedan:



VARNING, risk för elektrisk stöt. Hög spänning inuti. Batteriladdaren innehåller spänning på en nivå som kan orsaka personskada.

- Koppla från batteriet och strömförsörjningen innan underhåll, service eller demontering.
- Kontrollera att strömförsörjningen på installationsplatsen överensstämmer med den märkspänning som anges på batteriladdarens dataskylt.
- Batteriladdaren får endast anslutas till ett eluttag med skyddsjord.
- Använd inte laddaren om den är skadad.
- Om nätsladden eller stickproppen är skadad:
 - Batteriladdare med specialsladdar måste bytas ut mot motsvarande specialsladdar eller enhet som finns tillgängliga hos tillverkaren eller dess servicerepresentant.
 - Övriga batteriladdare som har en nätsladd som inte kan bytas ut ska skrotas.
- Om en stationär apparat inte är försedd med en nätsladd och en stickpropp eller med andra anordningar för fränkoppling från matningsnätet, så måste fränkopplingen integreras i den fasta ledningen i enlighet med de nationella installationsreglerna.



VARNING, risk för elektrisk stöt. Hög utgångsspänning från laddaren. Rör inte oisolerade batteripoler, kontakter eller andra elektriska delar.

Vid installation eller annat arbete på batteri och laddare så får batteripoler inte riskera att kortslutas. En kortslutning kan medföra personfara och skada batteriet permanent. Vid allt arbete på batteriladdare, batteri och BMS skall lämpliga isolerade verktyg användas.

Varningsinformation

Farofyllda situationer och försiktighetsåtgärder presenteras i texten enligt nedan.

VARNING

Signalerar för en potentiell farlig situation. Följden kan bli död eller allvarlig skada om lämplig försiktighetsåtgärd inte beaktas.

AKTA

Signalerar för en situation där skada skulle kunna uppstå. Om det inte beaktas kan mindre men uppkomma, och/eller skada på egendom.

OBS

Generell information, inte relaterad till säkerhet för person eller produkt.

Grafiska symboler

Följande grafiska uppmärksamhetssymboler kan visas på produkterna och i dokumentationen



Läs instruktionerna. Bruksanvisningen innehåller viktig information om säkerhet och användarinstruktioner.



Stoppa driften. Stoppa alltid laddningsprocessen genom att stänga av strömbrytaren innan du kopplar från batteriet.



VARNING, risk för elektriska stötar. Hög spänning inuti.



FÖRSIKTIGHET, oönskade konsekvenser. Situationen kräver att operatören är uppmärksam eller att denna vidtar åtgärder.



Välventilerat. Sörj alltid för god ventilation under laddning.



VARNING, explosiva gaser. Blybatterier bildar explosiva gaser under laddning.



Förbud mot rökning och öppen eld. Öppen låga, antändningskälla och rökning får inte förekomma i närheten av batteriet.



Använd skyddshandskar. Batterikablarna/batterikontakterna kan bli varma under laddning.

Introduktion

Detta dokument innehåller instruktioner för användning och underhåll av den avsedda batteriladdaren.

Detta dokument är relevant för den som använder batteriladdaren för sitt ändamål; att ladda batterier.

Målgrupp:

- Installatörer
- Operatörer
- Underhållspersonal och tekniker

Beskrivning

Champ är en kompakt och vattentät batteriladdare för laddning av blysyrbatterier.

Laddningsförloppet visas med lysdioder. Laddningstid och temperatur i batteriladdaren övervakas och laddningen begränsas vid fel på celler eller vid otillräcklig kylning etc.

Mottagande

Vid mottagande ska enheten kontrolleras visuellt för eventuella fysiska skador. Om nödvändigt kontakta transportbolaget.

Kontrollera att levererade delar stämmer överens med följesedel. Kontakta din leverantör om något saknas, se *Kontaktinformation*.

Installation

OBS

Installation får endast utföras av behörig service partner.

Mekanisk installation

Batteriladdaren:

- är avsedd för installation i fordon och andra applikationer,
- är lämplig för inomhus- och utomhusbruk,
- måste monteras mot en fast yta,
- bör, när den monteras på vägg eller i ett fordon, monteras vertikalt för optimal kylning.

AKTA

- Undvik hög omgivningstemperatur, dvs inte nära turboladdare, avgasgrenrör etc.
- Batteriladdaren kan bli varm under användning. Säkerställ ventilation runt laddaren.
- Batteriladdaren ska alltid vara säkert fastsatt. Använd skruvar och låsbrickor när du monterar laddaren (installationen måste motstå stötar och vibrationer i t.ex. ett fordon).

Elektrisk installation

VARNING

Hög spänning!

Felaktig inkoppling av batterikablar kan orsaka personskada eller skada batteri, batteriladdare och kablar.

Säkerställ att inkopplingen är rätt.

VARNING

Hög spänning!

Risk för strömförande chassi.

Anslut alltid laddaren till ett jordat eluttag.

1. Batteriladdaren är tillverkad för olika nätspänningar. Kontrollera att strömförsörjningen

SVENSKA

- på installationsplatsen överensstämmer med angiven märkspänning på batteriladdarens märkskylt. Märkskylten finns placerad på sidan av laddaren. Laddaren är normalt utrustad med fast nätkabel med kontakt.
2. Kontrollera batterikontakten och kabelns polaritet innan batteriet kopplas in. Laddaren levereras normalt med en batterikabel med följande polaritet:
 - Plus (+) = Röd
 - Minus (-) = Blå eller svart
 3. Anslut batterikablarna till batteriet.

Handhavande

Översikt

Se *Fig. 2 Komponenter och mått*

1. Nätkabel
2. Batterikablar
3. Lysdiod
4. Säkringshållare med säkring

Laddning

VARNING

Hög spänning!

Använd inte batteriladdaren om den är skadad. Bryt genast nätspänningen.

Vidrör inte skadade delar, oisolerade batteripoler, anslutningar eller andra strömförande delar.

Tillkalla servicepersonal.

Anslut och påbörja laddning

1. Kontrollera kablar och kontakter för synliga skador.
2. Anslut batteriladdaren till batteriet.
3. Anslut nätkabeln.

Batteriladdaren börjar att ladda.

För mer information om laddningskurvan, se *Fig. 1 Laddningskurva*.

Gul LED:

- Det första laddningssteget indikeras.
- Tänd tills batteriet är fulladdat.

Grön LED:

- Indikerar att batteriet är fulladdat.

- Laddaren går nu in i underhållsladdning.

OBS

Den gröna lysdioden tänds inte omedelbart om ett fulladdat batteri är anslutet. Denna tid kan variera beroende på batteriets kapacitet och programvaran i laddaren.

För en detaljerad beskrivning, se avsnitt LED-indikering.

Stoppa laddning och koppla från

VARNING

Explosionsrisk!

Koppla inte loss batteriet när laddningsprocessen är igång. Gnistor kan uppstå och orsaka vätgasexplosion vid laddning av bly-syrabatterier. Ljusbåge kan uppstå och skada kontaktstiften. Stoppa alltid laddningsprocessen innan batteriet kopplas från.

1. Stäng av laddaren genom att koppla ur nätkabeln.
2. Koppla från batteriet.

LED-indikering

LED-lamporna tänds eller blinkar i olika mönster för att indikera tillståndet och SOC (State of Charge). För mer information om laddningskurvan, se *Fig. 1 Laddningskurva*.

LED-indikering		○ Av	● På
Gul	Grön	Information	
●	○	<ul style="list-style-type: none"> Batteriladdningen startar med max ström – I Fas. Strömmen sjunker när batteriet återladdas. Laddningstiden bestäms av batteriets kapacitet och urladdningsgrad. 	
●	●	<ul style="list-style-type: none"> När tröskelvärdet (Ibr, I brake) nås, startar den interna timern laddningsprocessens U2-fas. U2-fasen håller laddaren i den högre laddningsspänningen. Hur länge beror på laddarens mjukvara. Säkerställer återladdning och utjämning av laddningen i alla battericeller och förhindrar sulfatering av batteriet. 	
○	●	<ul style="list-style-type: none"> Underhållsladdning för inställning av spänning. Batteriet hålls fulladdat och laddaren kan i denna fas lämnas påslagen över tid. Eventuell parallell belastning eller förbrukning tillförs från laddaren och batteriet hålls fulladdat. Batteriladdaren kan ge full ström. 	

Underhåll och felsökning

VARNING

Hög spänning!

Endast behörig personal får installera, använda, sköta och serva den här produkten.

Koppla loss batteri och nätanslutning före underhåll, service eller demontering.

VARNING

Hög spänning!

Använd inte batteriladdaren om den är skadad. Bryt genast nätspänningen.

Vidrör inte skadade delar, oisolerade batteripoler, anslutningar eller andra strömförande delar.

Tillkalla servicepersonal.

Säkerhetsavstängning

Laddningen avbryts om:

- Nätkabeln är urkopplad.
- Batterikabelns säkring är defekt.

Laddningseffekten reduceras tillfälligt när:

- Laddarens inre temperatur är för hög.

Kontroll av felmeddelanden

När batteriladdarens inbyggda självtest känner av ett fel indikeras det med lysdioderna, se avsnitt LED-indikering.

Notera eventuella fel och tillkalla behörig servicepersonal.

Kontroller

Följande rekommenderas att utföras regelbundet:

- Kontrollera kablage och anslutningsdon så att det inte finns några synliga skador.
- Kontrollera att batteriet är felfritt, i god kondition och av rätt typ för batteriladdaren.
- Kontrollera att batteriet är korrekt anslutet och att eventuella batterisäkringar är hela.
- Kontrollera att nätspänningen är rätt och att alla säkringar är hela.

Tekniska data

Omgivningstemperatur vid drift: -25 till 50 °C (-13 till 122 °F)⁽¹⁾

Förvaringstemperatur: -40 till 85 °C (-40 till 185 °F)

Matningsspänning: Se dataskylt⁽²⁾

Batterityper: Bly-syra

Utgångsspänning: Se dataskylt⁽²⁾

Rekommenderad batterikapacitet:

SVENSKA

- Champ 12V/7A: 7–70 Ah

- Champ 24V/5A: 5–50 Ah

Verkningsgrad: > 90 % vid full last

Kapslingsklass: IP67

Godkännanden: CE och/eller UL. Se dataskylt⁽²⁾

1) 30 till 50 ° C (86 till 122 ° F) med begränsad laddningseffekt.

2) Placerad på batteriladdaren.

Återvinning

Batteriladdaren ska återvinnas som metall- och elektronikskrot. Lokala föreskrifter gäller och ska följas.

Kontaktinformation

Micropower Group AB
Idavägen 1, SE-352 46 Växjö, Sweden
Phone: +46 (0)470-727400
e-mail: support@micropower.se
www.micropower-group.com

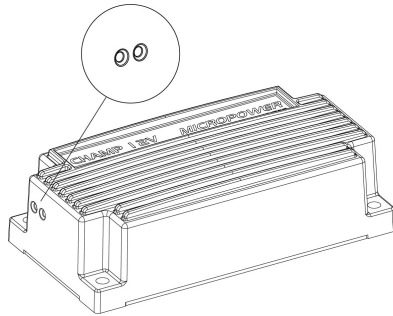
Godkännanden

Tillverkad av: Micropower Group AB

Tillverkaren intygar att denna produkt uppfyller tillämpliga krav. Fullständig deklaration finns tillgänglig på Micropower Support Center: <https://docs.micropower-group.com/Other docs>

Figures

Fig. 1 Charging curve



LED indication		
Yellow	Yellow + Green	Green

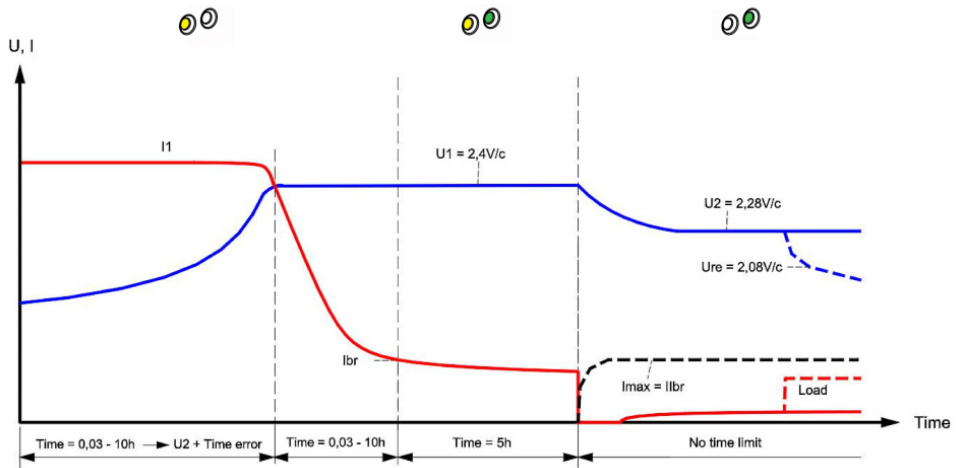
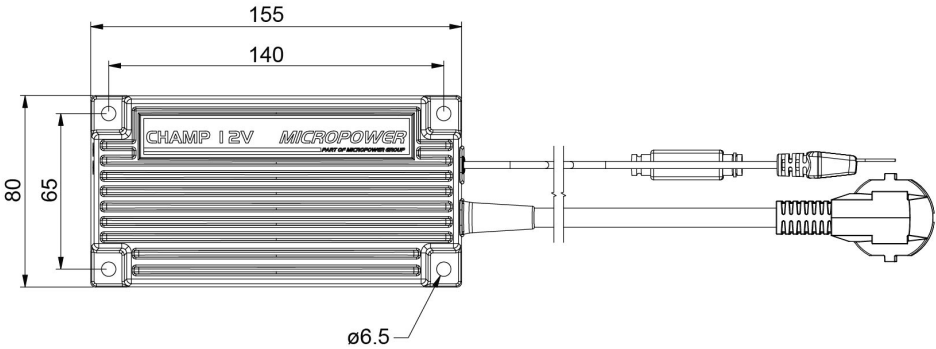
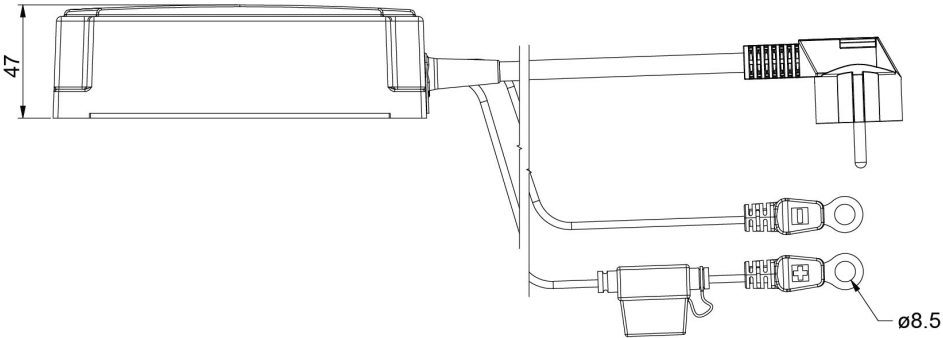
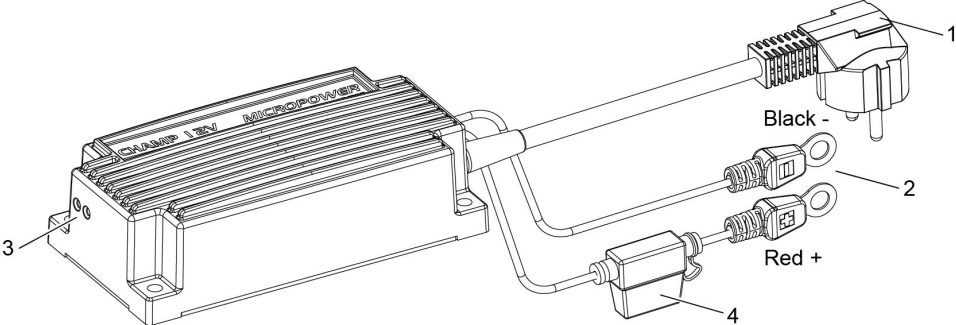


Fig. 2 Components and dimensions



See Overview