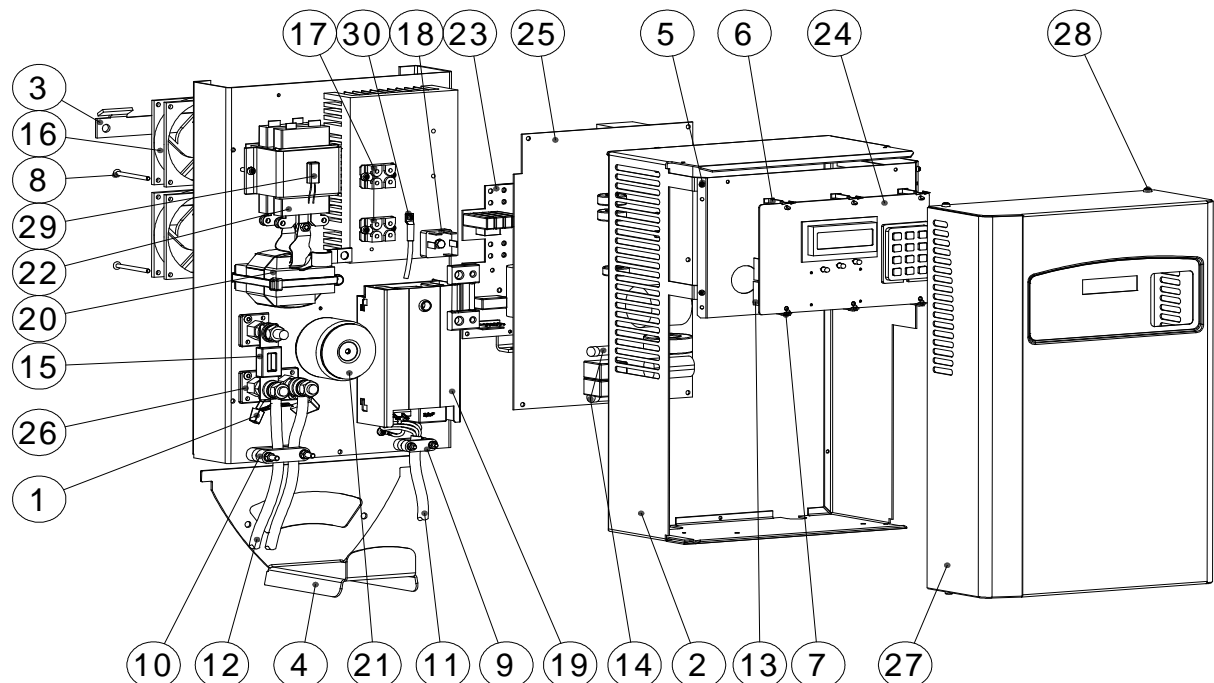


Reservdelslista/Spare part list/Ersatzteilliste

Truckladdare/Battery charger/Ladegerät:MTM-HF 48V/130A 3x400V 50-60Hz

Art. nr./Part no/ Art. nr.: 974481-000

Elschema/Circuit diagram/Schaltplan #: E-2859



| Pos | Part no. | Benämning/Name/Benennung | Ref. | Qty | Data |
|-----|----------------------|---|----------|-----|---|
| 1. | 8535002 | EMC-filter utgång/Output EMC-filter | C200-201 | 1 | 2pcs 100nF 250V |
| 2. | 1102030 | Krage/Cover/Gehäuse | - | 1 | M-6431 |
| 3. | 1115009 | Upphångningsanordning/Mount brakett | - | 1 | M-6333 |
| 4. | 1134001 | Kabelhållare/ Cable hook/Kabel halter | - | 1 | M-6332 |
| 5. | 1464006 | Skruv/Screw/Schraube | - | 4 | MRT M3x6 Torx. For processor unit. |
| 6. | 1480030 | Distans/Board support | - | 3 | White plastic. For processor c.b. |
| 7. | 1480031 | Distans/Board support | - | 3 | White plastic. For processor c.b. |
| 8. | 1420003 | Skruv/Screw/Schraube | - | 4 | M6S M4x30. For fan mounting |
| 9. | 2502001 | Dragavlastning nät/ Cable clamp mains | - | 2 | NP706 |
| 10. | 2502003 | Dragavlastning batteri/ Cable clamp battery | - | 2 | NP712 |
| 11. | 2904003 | Nätkabel/Mains cable/Netzkabel | - | 1 | 3m 4x2,5mm ² : Black |
| 12. | 2926006 | Batterikabel/Battery cable/ Batterie kabel | - | 1 | 3m 2x50mm ² . Twin cable. |
| 13. | 2935029 | Flatkabel/ Flat cable | - | 1 | M-6378. Prim.c.b. to processor c.b. |
| 14. | 3006017 / 3006025 | Säkring/Fuse/Sicherung (3006017 1A then Aux.trans.has E-core, 3006025 then Aux.trans.is Tororid) | FS1, FS2 | 2 | 1A Slow 6,3x32mm 0,5A Slow 6,3x32mm |
| 15. | 3010005 | Batterisäkring/Battery fuse/Batterie sicherung | FS3 | 1 | SIBA 125A cc 60mm |
| 16. | 8535011 | Fläkt/Fan/Ventilator | E1 | 2 | 12V DC 6,5W 92x92x25mm |
| 17. | 4301056 | Diod/Diode/Diode | D9-10 | 2 | DSEI2x61-06C |
| 18. | 4340017 | 3-fas brygga/ 3 phase bridge | BR2 | 1 | IR 26MT120 |
| 19. | 80012181 | Nätfilter/Mains filter/Netzfilter | RF11 | 1 | #1158 inc. cables |
| 20. | 5801023 | Drossel/Choke/Drossel | L3 | 1 | #543760Output filter. |
| 21. | 5901017 / 5901032 | Manövertrafo/Auxiliarytransformer (5901017 Tororid. 5901032 E-core) | T1 | 1 | #507780/ 508740 |
| 22. | 59050101 | Transformator/Transformer/Transformator | T2 | 1 | Switchtransformer 48V 130A |
| 23. | 8540003 | Sekundärkort /Secondary p.c.b. | U2 | 1 | #116200 48V 150A Shunt |
| 24. | 8001177 | Datorkort/Processor c.b./Computer l.p. | U3 | 1 | #115905 |
| 25. | 80012029 | Primärkort/Primary c.b. | U1 | 1 | #1171 |
| 26. | 8520010 | Batteriplint/Battery connector/Batterie anschluss | - | 1 | M10 |
| 27. | 1106xxxx | Kåpa/Cover/Gehäuse | - | 1 | M-6412 Metal cover. (color must be defined in order) |
| 28. | 1430007 | Skruv/Screw/Schraube | - | 4 | RTS-ST4,2x9,5 Tx. |
| 29. | 3009003 / 4637010 | Temperaturbrytare/Temperatureswitch Thermistor | Temp1 | 1 | Switch 110C Uchiya / NTC 10k |
| 30. | 4637010 | Thermistor | Rtherm | 1 | NTC 10k |

Internal cables: Prim. 1,5mm² Sec. 2x10mm².